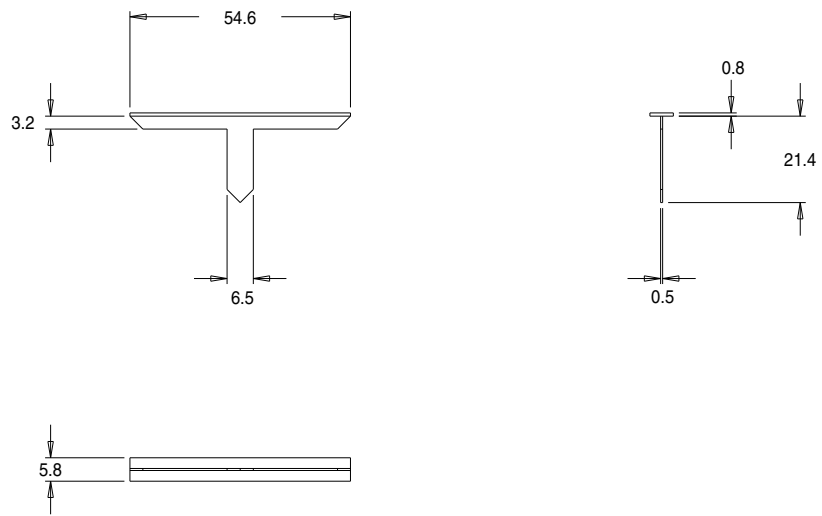


Part No. U39108
UI39 x 10.2 'U' Range T-Piece



Dimensions in millimetres.



Issue 1